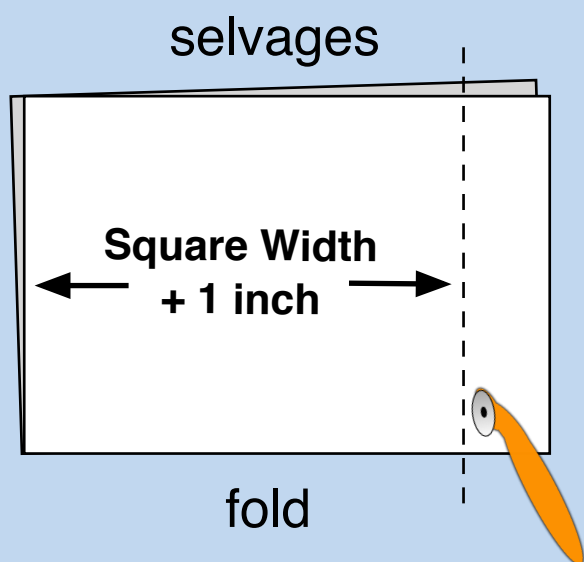


Cut a large square

any size fabric • no long cuts • no special ruler

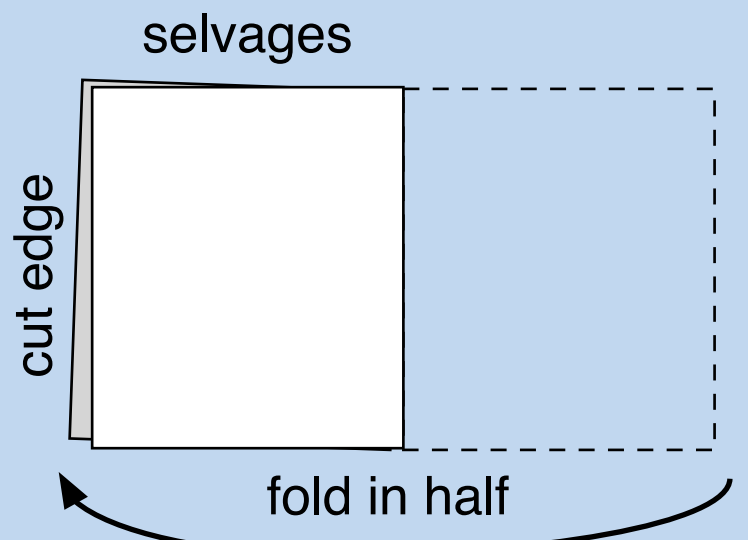


Cut a strip

Cut strip as wide as the square needed + 1 inch.

Fold again

Fold raw edges together.

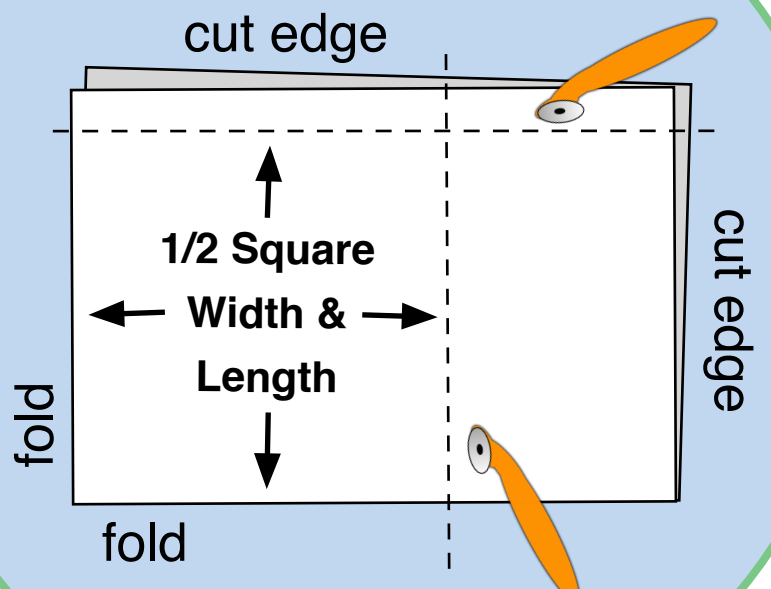
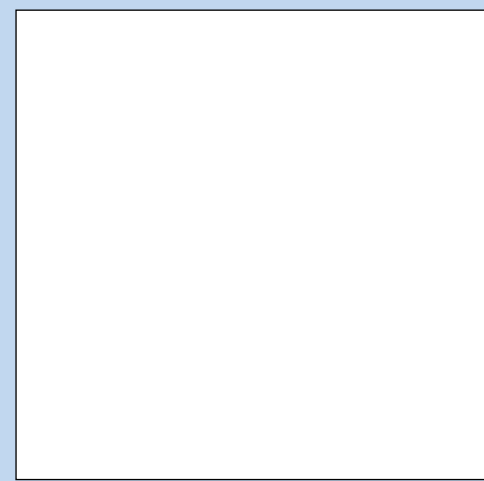


Turn fabric

Turn fabric so folds are at the bottom & on the left.

Cut square

Trim the cut edges to a square half the size needed.



Unfold

Open to see the large square.